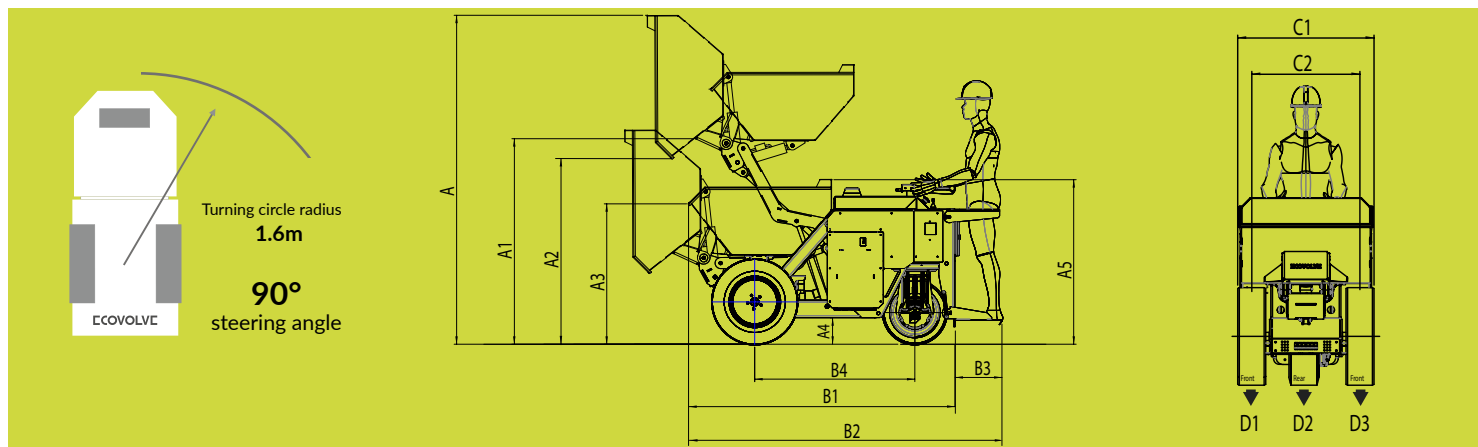




		ED800	ED1000	ED1500
<b>Capacity</b>	Max safe load (Kg)	800	1000	1500
	Unladen weight (Kg)	1200	1300	1500
	Skip - Levelled (Ltr)	350	435	575
	- Heaped (Ltr)	480	600	800
	- Water level (Ltr)	225	315	460
<b>Drive</b>	Drive type	1 wheel drive	1 wheel drive	3 wheel drive
	Steering	1 wheel steer	1 wheel steer	1 wheel steer
	Speed (Km/h)	0-6	0-8	0-8
	Steering angle	90°	90°	90°
	Grade ability	15°	15°	15°
<b>Transmission</b>	Proportional Steering	Drive	Drive	Drive
	Tires - Front (2no. Super elastic)	27x8,5x15	27x8,5x15	27x8,5x15
	- Rear (1no. Super elastic)	21x8x9	21x8x9	21x8x9
	Brakes		Dynamic electric brake Negative parking brake	
<b>Hydraulic system</b>	Gear pump - Flow rate (Ltr/Min)	5.5	6.5	6.5
	- Oper. pressure (Bar)	130	130	150
	Pump motor (KW)	2.2	2.2	2.2
	Hydraulic tank capacity (Ltr)	2.8	2.8	5
<b>Electric system</b>	Voltage (V)	24	24	24
	Battery (Ah)	400	400	600
	Integrated Charging - Input (V AC)	100-240	100-240	100-240
	- Output (V DC)	24	24	24
	Recharge (Hrs)	8	8	10
<b>Drive motor</b>	Type		Induction motor	
	Output	5KW/7HP	5KW/7HP	8KW/11HP
	Emission	Zero	Zero	Zero
<b>Noise</b>	Driving (Db)	65	65	65
	Buzzer [adjustable] (Db)	60-80	60-80	60-80



[mm]													Unladen		Laden	
	A	A1	A2	A3	A4	A5	B1	B2	B3	B4	C1	C2	D1/D3	D2	D1/D3	D2
<b>ED800</b>	2610	1630	1470	1120	210	1310	2065	2388	330	1270	813	584	280 kg	680 kg	650 kg	700 kg
<b>ED1000</b>	2610	1630	1470	1120	210	1310	2200	2565	330	1270	965	762	310 kg	680 kg	785 kg	730 kg
<b>ED1500</b>	2900	1800	1600	1150	210	1340	2245	2575	330	1326	1173	975	375 kg	750 kg	1125 kg	750 kg