



Product Catalog

JF365

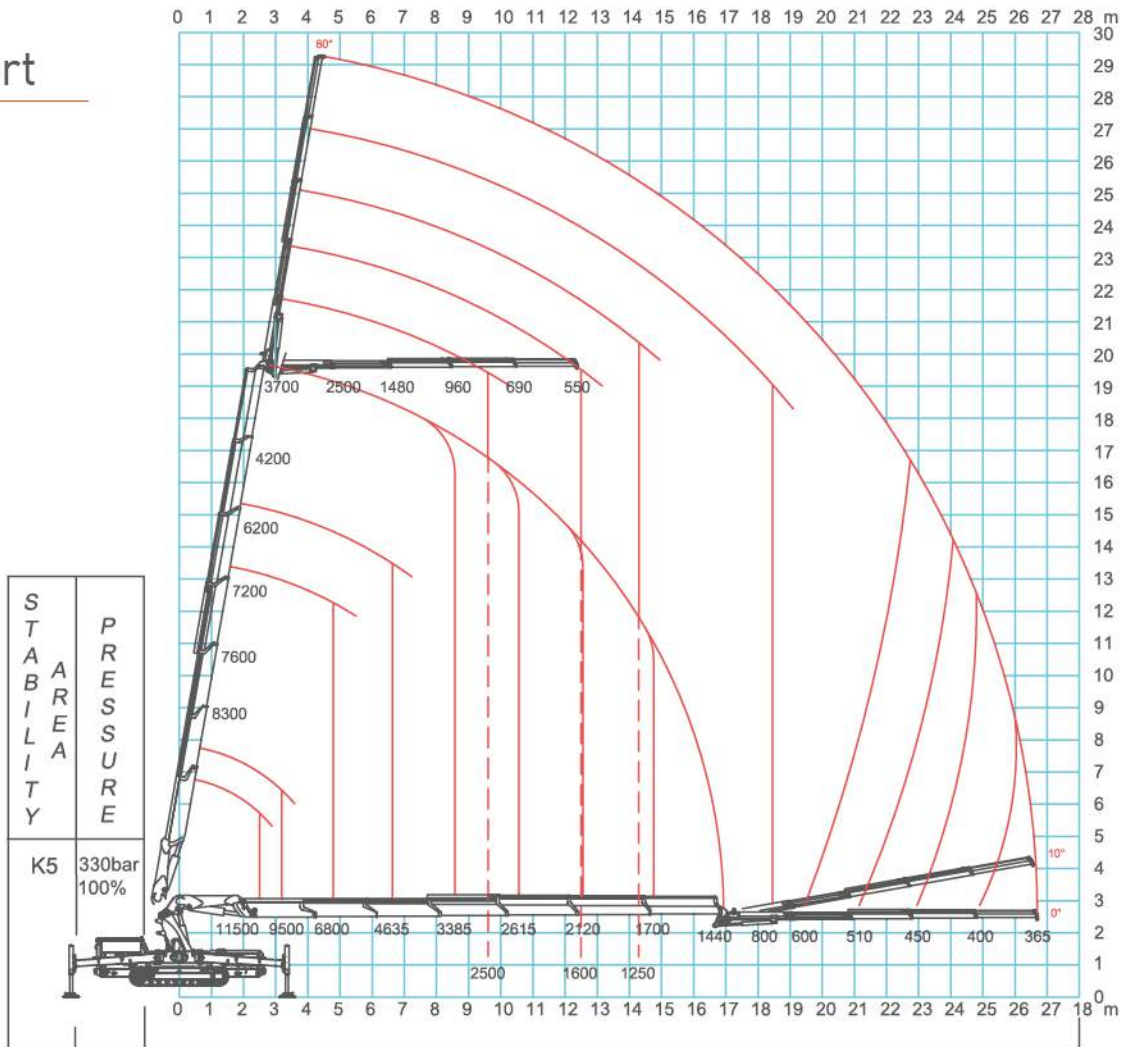
This model combines an articulated truck loader crane with a self-propelled crawler chassis. It offers a glimpse into the future of crawler cranes.



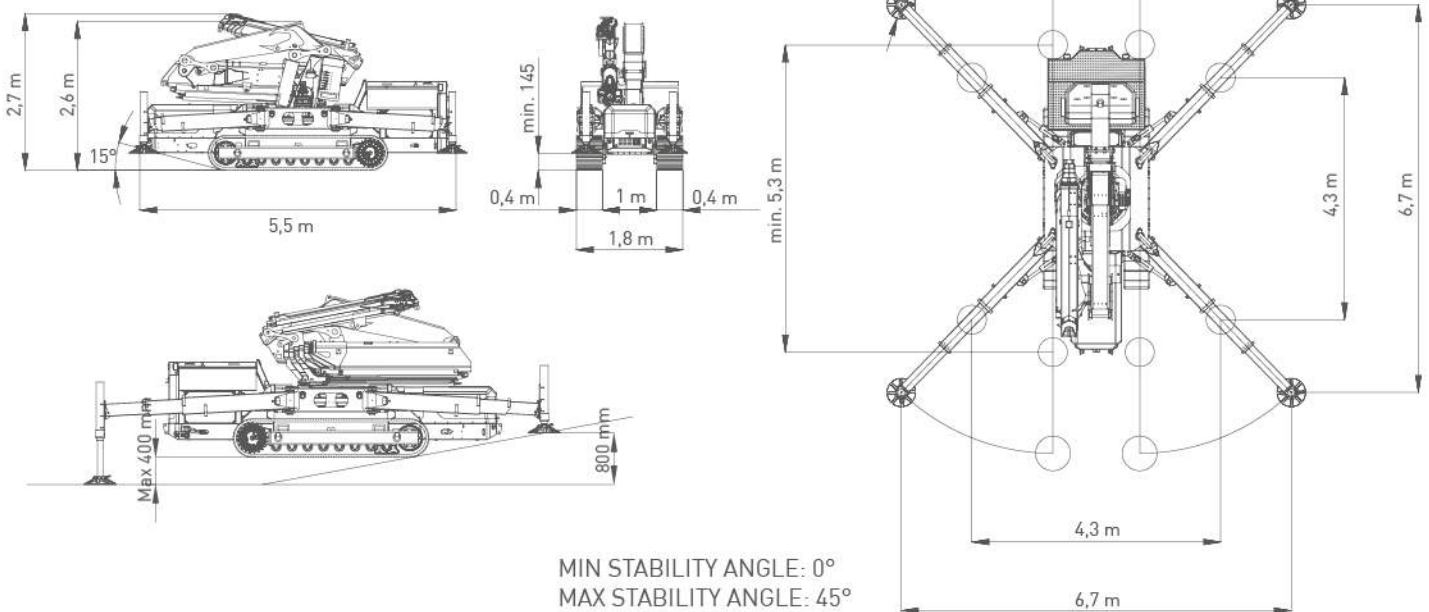
JF SERIES



Load Chart



Dimensions



JF365

SUPER ACCESSIBILITY IN TIGHT SPACES

Bringing to the ground an equipment usually mounted on a truck allows JF365 to have an **increased accessibility and a reduced size**, with a significant positive impact on logistics. Now you can transport and use an articulated crane in all areas which cannot be accessed by a truck, such as: industrial areas, town centres with narrow streets, fenced parks, etc.



DIFFERENT ATTACHMENTS

JF365 can work either horizontally or vertically with the use of either **hook or winch**. It is also possible to use a **manipulator for glass panels**, and either a **3-person hydraulic platform** used with dual articulation or a **2-person basket with the jib**, for heights of up to 29 metres. The hydraulic activation of the jib allows for the installation of any additional option.



GLASS MANIPULATOR



MAN BASKET

ONE CRANE ONE OPERATOR

The crane can be **managed entirely by a single operator** thanks to the use of a **radio controller**, which is effectively an extension of the machine that is always within reach.



INFINITE LIFTING POSSIBILITIES

We developed a software which allows for the **stabilisation of the crane via infinite combinations**. Each stabiliser can be set as desired in terms of angle and extension. One of four stability levels is **automatically calculated** according to the position of the stabilisers and the consequential tipping axis.



More from
JF Series



JF545



JF40



JF30