



Mini Crawler Crane

MC-405C



Maximum Working Radius : **16m × 0.21t**
Pick & Carry Duties : 500kg

Lifting Capacity : 3.83ton × 2.7 m
Dimensions (L × W × H) : 4980 × 1380 × 1980 mm
Crane/Outrigger Interlock System
4Fall/2Fall Hook Block
Digital Feedback Remote Control
Data Logger

Available with Fly Jib & Searcher Hook

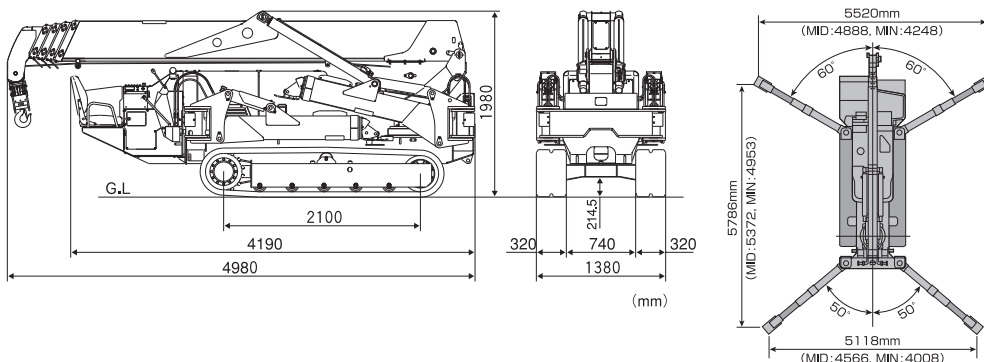
Specifications are subject to change without notice.



MAEDA Mini Crawler Crane MC-405C

Specifications

Model		MC-405CRM(E)	
Crane capacity	t × m	3.83t × 2.7m	
Max. working radius	m × t	16m × 0.21t	
Max. lifting height (on the ground)	m	16.8m	
Max. lifting height (underground)	m	-20.5m	
Winch system	Hook speed	10m/min [18.0m/min] (4 layers 4 falls)	
	Hoist wire rope	φ × m IWRC 6 × WS(26) φ8 × 92m	
Telescoping system	Type	Fully automatic 5-section pentagonal telescopic boom	
	Boom length	m 4.735~16.475m	
	Boom telescoping stroke / time	m/sec 11.7m/54.2sec [41.3sec]	
Boom hoist system	Hoist angle / time	deg/sec 0~80/24.5sec [17.0sec]	
Swing system	swing angle / time	deg/rpm 360/2.1rpm [2.5rpm]	
Outrigger system	Type	Extended Hydraulic cylinder direct acting Setting up Hydraulic cylinder direct acting	
	Max. extended width	mm (Lateral) 5,786 × (Front) 5,118 × (Rear) 5,520	
Travel system	Type	Hydraulic motor driven, stepless speed changer	
	Travel speed	km/h 0~3.3	
	Gradability	deg 20	
	Crawler ground length × width	mm 1,720 × 320	
	Ground pressure	kpa [kgf/cm ²] 49.0 [0.50]	
Engine	Model	YANMAR 3TNV88-BPMB	
	Displacement	L [cc] 1.642 [1,642]	
	Rated output	kw/min ⁻¹ [ps/rpm] 21.4kw/2400min ⁻¹ [29.1PS/2400rpm]	
	Starting method	Electric starting	
	Fuel / Fuel tank capacity	L Diesel/60.0	
Motor (MC-405CRME)	Motor type	Totally enclosed fan-cooled motor 7.5kw, 4P 380V	
	Starting system	Inverter system (30Hz-60Hz)	
Remote control system	Type	Cable remote controller	
	Micro/High speed mode	Available	
	Load display for transmitter	Available	
	Outrigger operation	Available	
	Voice	Available	
Pick & Carry capacity	kg	500kg	
Overall length × width × height	mm	4,980 × 1,380 × 1,980	
Machine weight	kg	5,600kg (5,750kg with electric motor)	
Safety device		Overwind protection, Load indicator, Hydraulic safety valve, Wire rope latch, Level, Machine body inclination alarm, EMO switch, Travel lock lever, Crane & Outrigger interlock device, Data logger, Moment limiter, Working status lamp	
Optional equipment		White rubber tracks Single fall hook Fly jib 500kg/850kg Searcher hook	

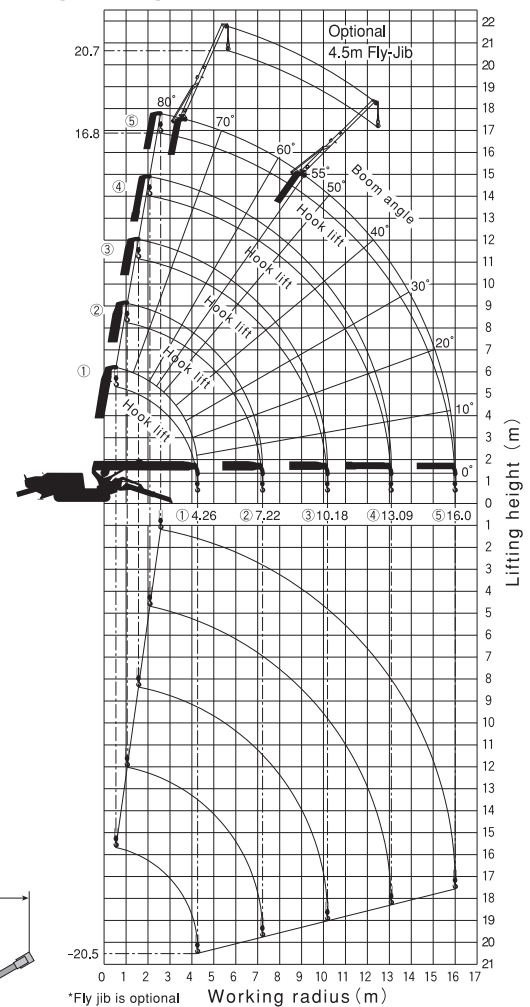


Total Rated Load Chart (4 falls)

Total Rated Load Chart with outrigger extended to maximum							
4.735m/7.695m Boom		10.655m Boom		13.565m Boom		16.475m Boom	
Working radius (m)	Total rated load (kg)	Working radius (m)	Total rated load (kg)	Working radius (m)	Total rated load (kg)	Working radius (m)	Total rated load (kg)
2.7 or less	3830	3.5	3030	4.0	2230	5.0	1130
3.5	3030	4.0	2580	4.5	1930	5.5	980
4.0	2580	5.0	2030	5.0	1730	6.0	910
5.0	2030	6.0	1680	6.0	1400	7.0	760
6.0	1680	7.0	1380	7.0	1180	8.0	650
7.0	1380	8.0	1130	8.0	1030	9.0	600
7.25	1330	9.0	880	9.0	930	10.0	550
		10.2	580	10.0	830	11.0	490
				11.0	690	12.0	440
				12.0	530	13.0	380
				13.1	430	14.0	320
						15.0	260
						16.0	210

* The Total Rated Load Chart is based on actual working radius with the bending of boom attributable to load reflected and is shown with the mass of hook (50kg) included.

Working Range (4 falls)



*Fly jib is optional Working radius (m)

Fly jib Total Rated Load Chart (Optional)

Boom angle (deg)	Jib length: 4.5m (kg)
76	520
72	520
69	420
66	320
63	250
60	220
55	170

* The weight of hook block (single fall-20kg) must be included as part of the load shown in the Total Rated Load Chart.

Before use, please read the Operation Manual

Due to improvements, the specifications are subject to change without notice.



MAEDA SEISAKUSHO CO.,LTD.

No.1095, Onbegawa, Shinonoi, Nagano-City, Nagano-Pref. 388-8522 Japan
 Head office TEL: 026-292-2228 FAX: 026-293-5590
 URL: <http://www.maesei.co.jp/> E-mail: maedasp@maesei.co.jp