

NEW Telescoping Crawler Crane

CC985S-1



Crane Capacity Max Lifting Height Pick & Carry Duty
4.9t × 2.1m 16.50m 2,000kg

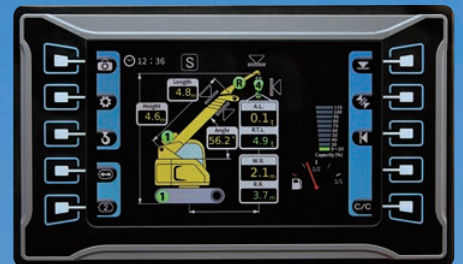
Max Lifting Height with Optional Fly Jib : **20.2m**
EU Stage III B Compliant Engine



Minimal Tail Swing



Programmable Moment Limiter



New 7 inch Multi Monitor

4 Fall / 2 Fall Hook Block



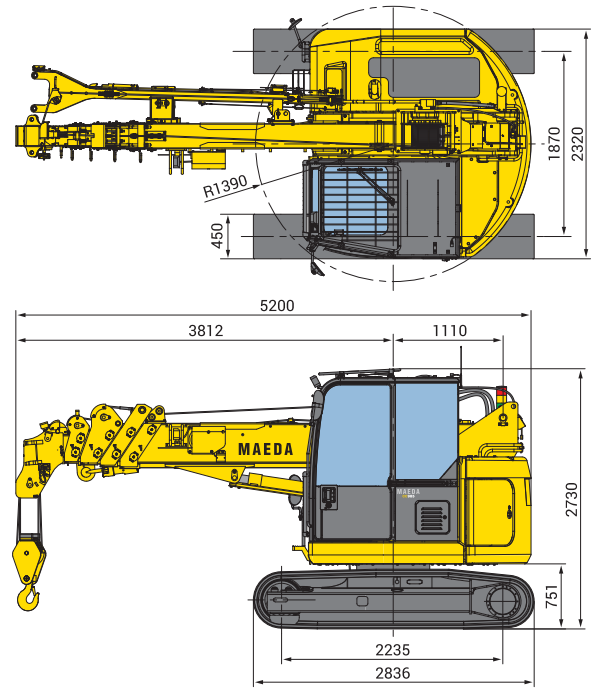
Rear View Monitor



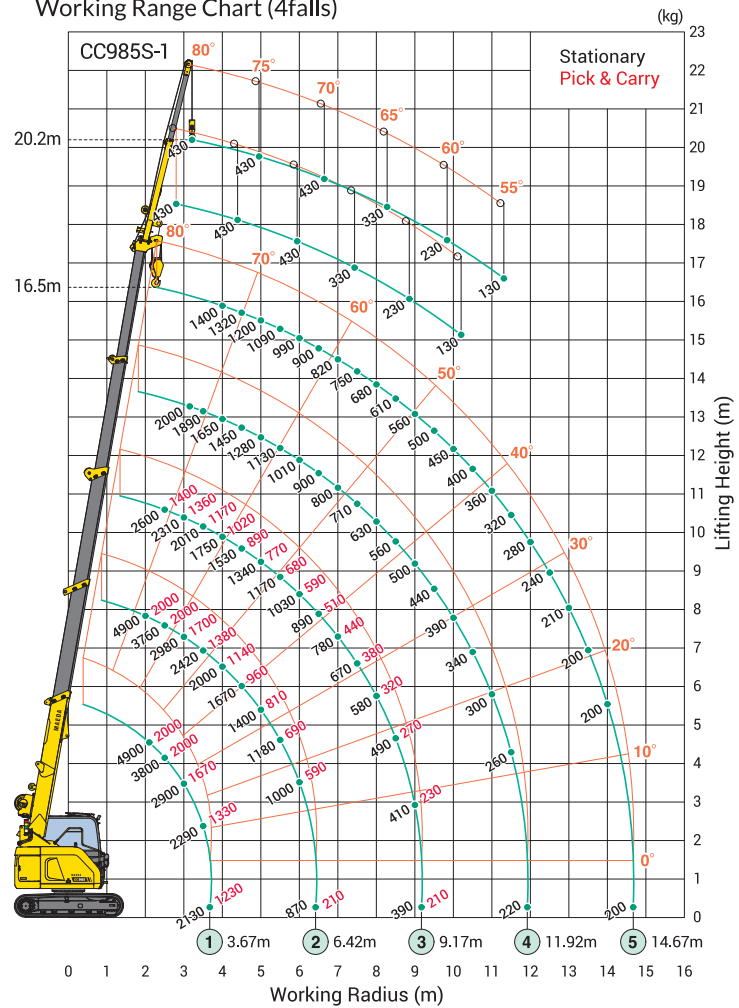
Specifications

Model		CC985S-1
Crane capacity	Crane capacity	4.9t x 2.1m
	Max. working radius	14.67m x 0.20t
	Max. lifting height	16.50m (20.2m with fly jib)
	Max. reach below ground level	-25.0m (4 falls)
Weight & Dimension	Pick & Carry capacity	2.0t
	Machine Weight	9,450kg (9,630kg with fly jib)
	Overall length x width x height	5,190mm x 2,320mm x 2,730mm
	Crawler width	450mm
Winch system	Tail swing	1,390mm
	Number of wire falls for Hook	4 falls / 2 falls
	Hook speed	Low: 30.0m/min (4 layers, 4 falls) High: 44.0m/min (4 layers, 4 falls)
	Hoist wire rope	IWRC 6 x Fi(29) φ10mm x 115m
Telescopic system	Boom type	Fully automatic 5-section pentagonal telescopic boom
	Boom length	4.78m - 7.53m - 10.28m - 13.03m - 15.78m
Boom hoist system	Boom telescoping stroke / time	11.0m / 24sec
Slew system	Hoist angle / time	-2 ~ 80deg / 13sec
Drive system	Slew angle / time	360deg / 1.9rpm
	Travel speed	Low: Forward & backward 0 ~ 1.9km/h High: Forward & backward 0 ~ 3.2km/h
	Gradability	20deg
	Ground pressure	46.8kPa (0.47kgf/cm²) [47.1kPa (0.48kgf/cm²) with fly jib]
Engine	Model	ISUZU 4LE2XDPC
	Emission level	EU Stage3B
	Displacement	2.179L (2,179cc)
	Rated output	40.3kW / 2,000min⁻¹ (54.8PS / 2,000rpm)
	Fuel / Fuel tank capacity	Diesel / 140.0L
Safety device	Hydraulic safety valve, Overwind protection, Wire rope latch, Level, Safety lock lever, Tilt alarm, EMO switch, Moment limiter, LED working status lamp, Rear view camera, Data logger	
Optional equipment	Rubber pads (weight 280kg), Single fall hook, Fly jib (430kg capacity)	

Dimensions



Working Range Chart (4falls)



Rated Total Load Chart (4 falls)

unit: kg

Working radius (m)	4.78m Boom		7.53m Boom		10.28m Boom		13.03m Boom		15.78m Boom	
	Stationary	Pick & Carry	Stationary	Pick & Carry	Stationary	Pick & Carry	Stationary	Pick & Carry	Stationary	Pick & Carry
2.00	4900	2000	4900	2000	2600	1400	2000			
2.10	4900	2000	4630	2000	2600	1400	2000			
2.50	3800	2000	3760	2000	2600	1400	2000			1400
2.70	3310	1950	3410	1940	2520	1400	2000			1400
3.00	2900	1670	2980	1700	2310	1360	2000			1400
3.15	2640	1550	2800	1590	2220	1300	2000			1400
3.50	2290	1330	2420	1380	2010	1170	1890			1400
3.67	2130	1230	2270	1290	1920	1120	1800			1400
4.00			2000	1140	1750	1020	1650			1400
4.50			1670	960	1530	890	1450			1320
5.00			1400	810	1340	770	1280			1200
5.50			1180	690	1170	680	1130			1090
6.00			1000	590	1030	590	1010			990
6.42			870	510	910	520	910			920
6.50					890	510	900			900
7.00					780	440	800			820
7.50					670	380	710			750
8.00					580	320	630			680
8.50					490	270	560			610
9.00					410	230	500			560
9.17					390	210	480			540
9.50							440			500
10.00							390			450
10.50							340			400
11.00							300			360
11.50							260			320
11.92							220			280
12.00										280
12.50										240
13.00										210
13.50										200
14.00										200
14.67										200

*The Rated Total Load Chart is based on the actual working radius including boom deflection.
 *The weight of hook block (standard 4 fall/2fall -90kg) must be included as part of the load shown in the Rated Total Load Chart.
 *When using two fall or single fall hooks, use the appropriate four fall Rated Total Load Chart above but with a maximum load of: Two fall-2450kg, Single fall-1220kg.

Due to improvements, the specifications are subject to change without notice.



Before use, please read the Operation Manual



MAEDA SEISAKUSHO CO.,LTD.

Head office

No.1095, Onbegawa, Shinonoi, Nagano-City, Nagano-Pref. 388-8522 Japan
 TEL.+81(0)26 292 2228 FAX.+81(0)26 293 8499

URL : www.maedaminicranes.com E-mail : contact@maeda-minicranes.com